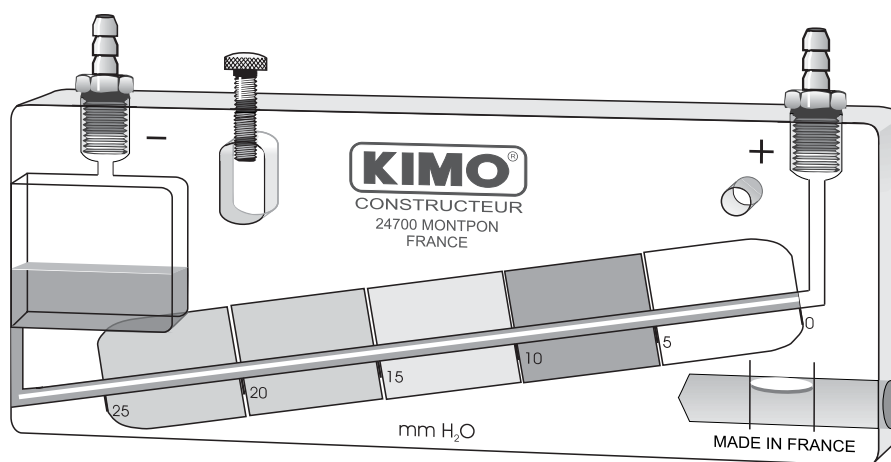


TECHNICAL DATA SHEET



CP 25

INCLINED LIQUID COLUMN MANOMETER



The CP 25 inclined liquid column manometer, developed and manufactured by KIMO measures slight variations in pressure, depression or differential pressure of air or gas. It is specially designed for checking clogging of filters in painting booths.

- Graduation scale via coloured zones for fast and easy reading.
- Safety reservoir enabling momentaneous overshooting of the scale.
- Comes with two 487 connectors and a bottle of AWS 10 liquid.

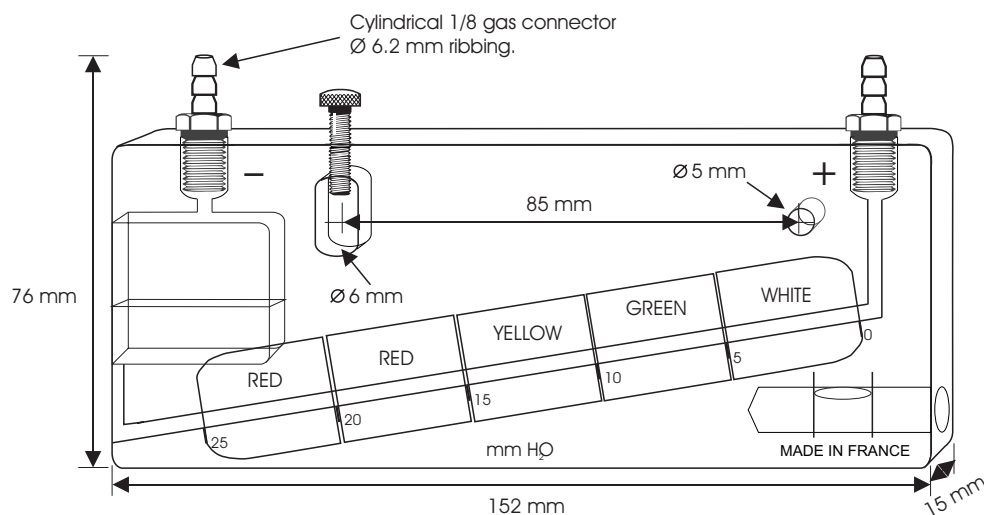
MEASUREMENT RANGE

REFERENCE	MEASUREMENT RANGE	SENSITIVITY SCALE for 1mm CE or 0.04 In.WG
CP 25	0 - 25 mm CE or 0 - 1 In.WG	5 mm

CHARACTERISTICS

- Recommended range of use : +5 to 30°C.
- Possible range of use : -30 to 60°C.
- Maximum static pressure : 6 bars.
- Manometer body : transparent 15 mm thick Altuglas.
- Liquid column : entirely bored in the solid block, Ø 4 mm.
- Graduation : directly silk-screened onto the rear face with different colour zones :
 - from 0 - 5 mm CE ----> white
 - from 5 - 10 mm CE ----> green
 - from 10 - 15 mm CE ----> yellow
 - from 15 - 25 mm CE ----> red (Variations possible on request).
- Horizontal positioning via integrated spirit level and milled, nickel-plated brass adjusting screw, vertical travel 12 mm.
- Manometric liquid : AWS 10 red oil - density 0.87 at 15°C.
- Reservoir capacity : 20 ml.
- Connection : Ø 5x8 mm semi-rigid crystal tube, on Ø 6.2 mm ribbed, nickel-plated brass connectors, 1/8 gas thread.
- Wall-mounted with or without white PVC support

DIMENSIONS



MOUNTING

Mount the manometer on a wall or a vertical partition wall with two maximum Ø 5 screws. Set horizontality by using the integrated level and the milled adjusting screw. Unscrew the connector on the reservoir and slowly pour the manometric liquid to zero point on the graduation. Remount the connector without overtightening. Connect the manometer with the Ø 5x8 mm crystal tube to the pressure or depression source to be checked.

NOTE :

- For a pressure measurement : connect the crystal tube to the right-hand connector (+).
- For a depression measurement : connect the crystal tube to the left-hand connector (-).
- For a differential pressure measurement : connect the highest pressure to the right-hand connector (+) and the lowest pressure to the left-hand connector (-).

MAINTENANCE : The CP 25 manometer requires no special maintenance other than simply changing the reading liquid once a year.

www.kimo.fr

EXPORT DEPARTMENT

BP 48. Bld de Beaubourg - Emerainville
F-77312 MARNE LA VALLEE CEDEX 2 - FRANCE
Tel : 33. 1. 60. 06. 69. 25
Fax : 33. 1. 60. 06. 69. 29
e-mail : kimo.export@kimo.fr



Distributed by :